

Aerofoil - JM Multi-Stage

- 315mm - 800mm diameter
- Volume flow up to 9 m³/s
- Static pressures up to 1500 Pa
- High energy efficiency
- All casings are hot dipped galvanised
- Low installed noise levels
- Motor protection IP55
- Overheat protection fitted as standard
- Inverter controllable

Sizes

31JM - 315mm, 35JM - 355mm, 40JM - 400mm, 45JM - 450mm, 50JM - 500mm,
56JM - 560mm, 63JM - 630mm, 80JM - 800mm.

OTHER SIZES AVAILABLE ON REQUEST

Fan Performance

All fans are tested to the latest internationally recognised standard ISO5801 1997, installation category D for aerodynamic performance and BS848 Part 2 (1985) for acoustic performance.

Coupled with the above fan diameters, the adjustable pitch Aerofoil impeller gives the exact performance required, with a non overloading fan characteristic.

Impellers

A unique high efficiency aerofoil section blade with a purposely smoothed hub and clamp plate for adjustable pitch angle availability.

The Fläkt Woods impellers are all high pressure die cast to offer thin aerofoil sections for low generation of noise. Every cast aluminium component is X-ray examined using Real Time Radiography prior to assembly.

The maximum pitch angles shown allow for speed control by frequency inverter.

Motors

All motors are totally enclosed air stream rated class F insulation. Constructed from aluminium as standard with pad mounted fixings. Single speed motors are suitable for speed control by frequency inverters.

Suitable for horizontal through to vertical shaft operation. Supplied IP55, with removable drain plugs. (in some cases)

Most motors are fitted with sealed for life bearings lubricated with wide temperature range grease. These motors are suitable for inverter speed control down to 20% of full speed.

Electrical Supply

380 - 420 V / 50 Hz / 3 ϕ

Temperature Range

-40°C to 50°C as standard. (All motors are not suitable for starting at temperatures lower than -20°C.)

Casings

JM Aerofoil fans are available long cased, complete with an externally mounted pre-wired electrical terminal box.

Casings are spun from sheet steel with integral pre-drilled and radiused inlet flanges.

The galvanised finish gives a high resistance to corrosion and is ideal for external as well as internal use.

Accessories

Silencers, Mounting feet, Vibration isolators, Matching flanges, Flexible connectors, Air operated non return dampers, Guards, Bell mouth inlets.



Aerofoil - JM Multi-Stage

Performance Data

Product Code	Speed rev/min	m3/s at Pa (Static)									
		0	100	200	300	400	500	800	1000	1200	1500
31JM2/16/4/5/40/32	1420	0.75	0.68	0.58							
35JM2/16/4/5/40/32	1420	1.19	1.08	0.93	0.78						
35JM2/16/2/5/24/20	2840	1.5	1.45	1.4	1.38	1.35	1.3	1.15	1.0	0.85	
40JM2/16/2/5/27/22	2840	2.45	2.4	2.3	2.25	2.2	2.15	1.9	1.75	1.6	
45JM2/16/4/5/40/32	1420	2.6	2.45	2.18	1.95	1.55					
45JM2/20/2/6/29/24	2910	3.7	3.64	3.61	3.59	3.58	3.50	3.25	3.11	2.95	2.80
50JM2/20/4/6/41/32	1420	3.6	3.45	3.30	3.10	2.8	2.50				
50JM2/20/2/6/20/16	2910	4	3.9	3.8	3.7	3.65	3.6	3.45	3.3	3.15	3
50JM2/20/2/6/30/24	2910	5.6	5.5	5.4	5.3	5.2	5.2	4.9	4.8	4.55	4.3
56JM2/20/4/6/30/24	1420	3.8	3.7	3.4	3.2	2.95	2.7				
56JM2/20/4/6/36/28	1420	4.4	4.2	4.0	3.75	3.55	3.2				
63JM2/20/4/6/35/28	1420	6.5	6.3	6.1	5.8	5.5	5.2				
63JM2/25/4/9/40/32	1440	7.2	7.0	6.8	6.6	6.43	6.3	5.5	4.85		
80JM2/25/4/9/20/16	1440	8.4	8.2	8.0	7.7	7.5	7.2	6.6	5.8	4.6	

Electrical Data

Product Code	Speed rev/min	Motor	380-420V/50Hz/3 ϕ			
			Motor Rating (kW)	Full Load Current (at 400V) (A)	Starting Current (at 400V) (A)	Sound Level dBA
31JM2/16/4/5/40/32	1420	71	0.18	0.92	3.2	57
35JM2/16/4/5/40/32	1420	71	0.18	0.92	3.2	60
35JM2/16/2/5/24/20	2840	80	1.1	2.6	15	76
40JM2/16/2/5/27/22	2840	90	1.5	3.5	17.8	80
45JM2/16/4/5/40/32	1420	80	0.55	1.4	5.5	67
45JM2/20/2/6/29/24	2840	112	4.0	4.5	26.1	84
50JM2/20/4/6/41/32	1420	90	1.5	3.8	18.4	73
50JM2/20/2/6/20/16	2840	112	4.0	4.5	26.1	84
50JM2/20/2/6/30/24	2840	132	5.5	11.2	67.2	88
56JM2/20/4/6/30/24	1420	90	1.1	3.1	14.0	73
56JM2/20/4/6/36/28	1420	90	1.5	3.8	18.4	75
63JM2/20/4/6/20/16	1440	100	3.0	7.3	33.6	78
63JM2/25/4/9/40/32	1440	112	4.0	5.1	31.1	80
80JM2/25/4/9/20/16	1440	112	4.0	5.1	31.1	82

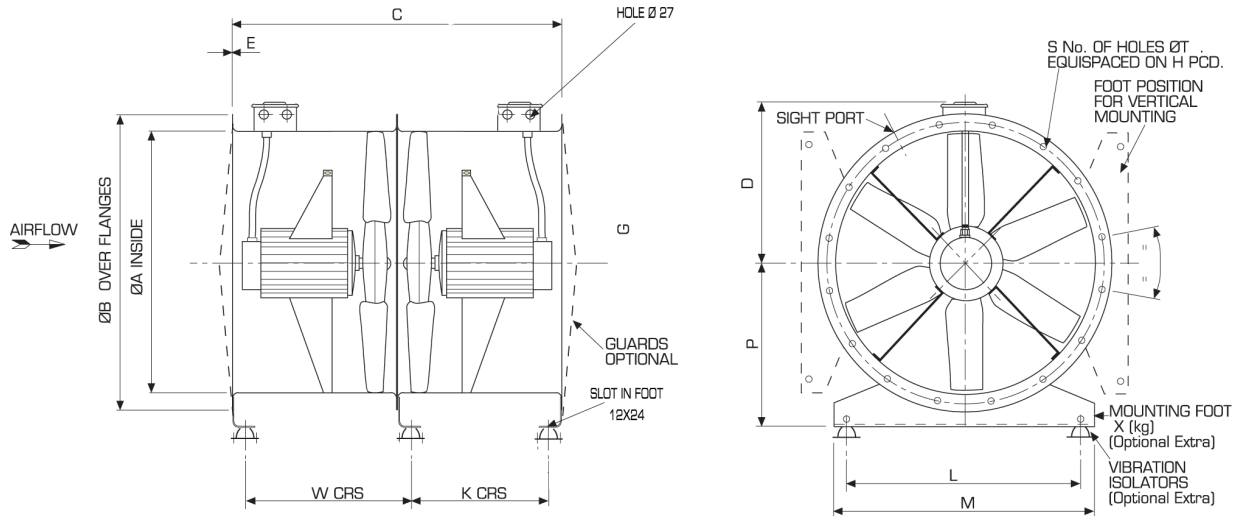
PLEASE NOTE: MOTOR RATINGS ARE PER STAGE

Sound pressure levels quoted are average dBA at 3 m distance over a sphere, under free field conditions and are presented for comparative purposes only.

Aerofoil - JM Multi-Stage

Dimensions

Long Cased



Product Code	Motor	A	B	C	D	E	H	K	L	M	P	S	T	W	X	Weight (kg)	Weight (kg)
31JM2/16/4/5/40/32	71	315	381	720	235	3.0	351	284	265	315	200	8	11	363	0.8	44	
35JM2/16/4/5/40/32	71	355	421	720	256	3.0	391	284	305	355	225	8	11	363	1.1	48	
35JM2/16/2/5/24/20	80	355	421	720	266	3.0	391	284	305	355	225	8	11	363	1.1	56	
40JM2/16/2/5/27/22	90	400	466	720	279	3.0	436	278	350	400	250	8	11	363	1.2	60	
45JM2/16/4/5/40/32	80	450	516	1000	306	3.0	486	418	400	450	280	8	11	503	1.5	64	
45JM2/20/2/6/29/24	112	450	516	1000	306	3.0	486	418	400	450	280	8	11	503	1.5	88	
50JM2/20/4/6/41/32	90	500	566	1000	338	3.0	536	414	450	500	315	8	11	503	2.0	68	
50JM2/20/2/6/20/16	112	500	566	1000	338	3.0	536	414	450	500	315	8	11	503	2.0	108	
50JM2/20/2/6/30/24	132	500	566	1000	338	3.0	536	414	450	500	315	8	11	503	2.0	130	
56JM2/20/4/6/30/24	90	560	626	1000	368	3.0	596	436	510	560	355	8	11	503	2.3	76	
56JM2/20/4/6/36/28	90	560	626	1000	368	3.0	596	436	510	560	355	8	11	503	2.3	76	
63JM2/20/4/6/20/16	100	630	706	1100	403	3.0	671	434	580	630	400	12	13	553	2.4	140	
63JM2/25/4/9/40/32	112	630	706	1100	403	3.0	671	434	580	630	400	12	13	553	2.4	162	
80JM2/25/4/9/20/16	112	800	876	1000	488	3.0	841	384	750	800	510	12	13	503	5.8	188	

All dimensions shown in mm

A full range of accessories including silencers, speed controllers and mountings are available