

*Mixed Flow
SILENT
Inline Tube Fan*



TT-SILENT Inline Mixed Flow Fan

The TT-SILENT Mixed Flow inline fans are enclosed in a specially designed sound-insulated casing ensuring a silent operation. Operating ranges up to 1950m³/h and pressures up to 620Pa.

The design of the unit makes the installation simple and easy with the fan supplied with spigots on both inlet and discharge sides of the fan. A total of 6 models are available from the range. All models come with a dual speed wiring option.



Typical installation and uses would include office ventilation, smoking room extract and supply, restaurants, fresh air supply etc.

The entire range offered is suitable for 220V 1Ph 50Hz power supply and operating conditions from -10°C ~ 60°C.

All models are fitted with thermal protection embedded in the motor winding.

Construction

The outer casing is manufactured from Polymer coated steel while a perforated inner casing design allows sound waves to be absorbed by a 50mm mineral wool layer between the inner and outer layer of the fan casing. The fan casings is designed with built-in downstream guide vanes to achieve best performance and lowest noise generation possible.

Motors

All models are fitted with ball bearing motors with service life designed at 40 000hrs at non-stop operating conditions and offer a IPX4 insulation rating. The motors have standard thermal overload protection embedded into the motor winding.

Fan speed control is achieved by using a TRIAC or autotransformer.

Special Request

The range of fans is also available on special request with the following built-in options: (Special import only)

- Built-in overrun timer.
- Variable speed drives fixed to the fan terminal box.
- Temperature sensors with speed controls for temperature triggered operation.

Installations

TT-SILENT inline mixed flow fans can be installed in the following configurations:

- Single fan, duct mounted.
- Two Fans in Series, increasing the pressure.
- Two Fans in Parallel, doubling up on the air volume.



Technical Data

Model	Power	Power (Watts)		Current (A)		Max Flow (m ³ /h)		Speed (rpm)		Noise (1)	
		Min	Max	Min	Max	Min	Max	Min	Max	Min	Max
TT-SILENT-100	220/1/50	24	26	0.10	0.11	170	240	2030	2630	24	29
TT-SILENT-125		25	30	0.11	0.13	230	340	1650	2310	23	28
TT-SILENT-150		45	52	0.2	0.23	405	555	1970	2645	26	33
TT-SILENT-200		78	110	0.35	0.49	810	1020	2015	2445	36	36
TT-SILENT-250		127	178	0.52	0.79	1050	1330	1965	2495	34	38
TT-SILENT-315		213	313	0.93	1.41	1530	1950	1975	2545	36	40

(1) Noise data - dBA level @ 3m, assuming hemispherical free field conditions

Dimensions

	Dimensions in mm					Mass (kg)	Figure #
	ØD	B	B1	H	L		
TT-SILENT-100	98	215	243	237	505	4.6	1
TT-SILENT-125	123	215	243	237	474	4.6	1
TT-SILENT-150	147	247	274	260	580	6.1	1
TT-SILENT-200	198	293	386	295	550	8	2
TT-SILENT-250	248	358	445	360	658	15	2
TT-SILENT-315	313	432	520	434	780	25	2

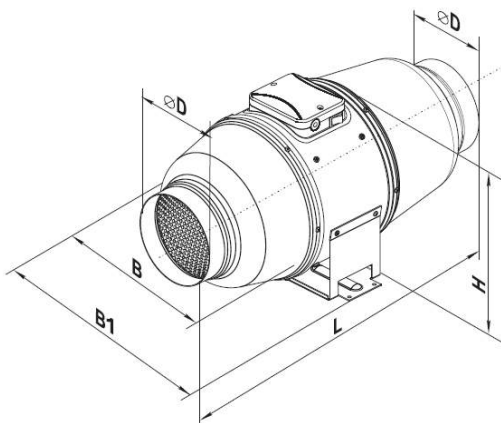


Fig.1

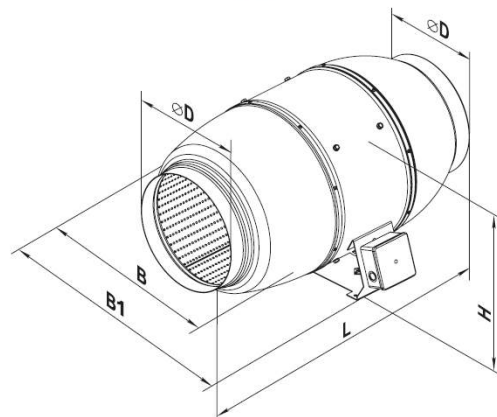
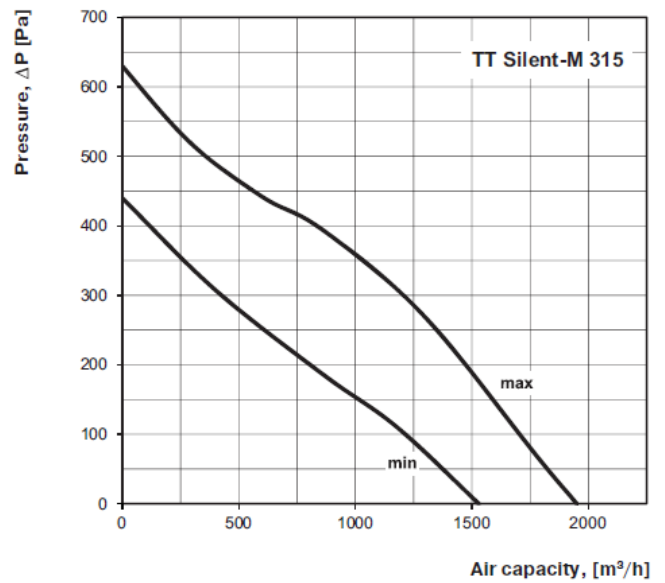
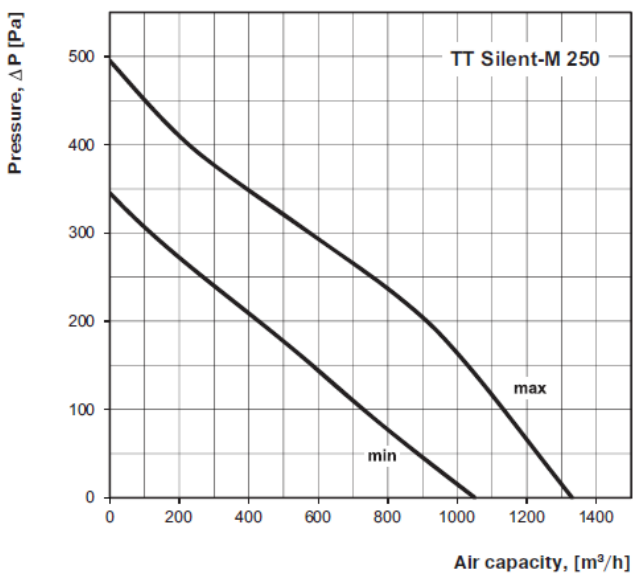
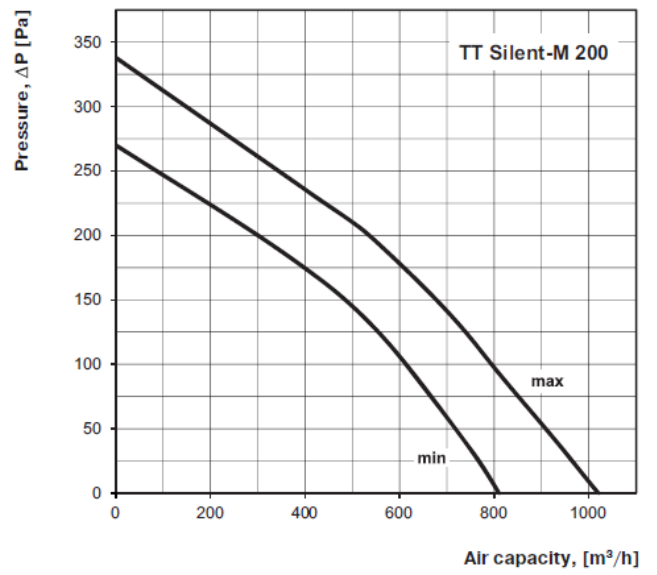
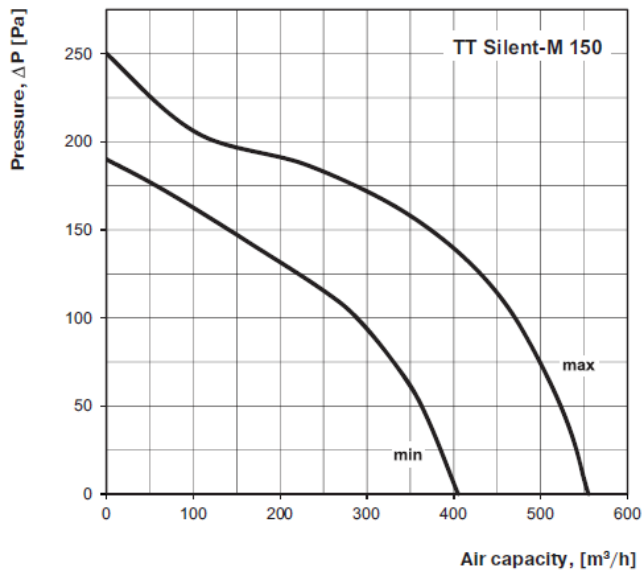
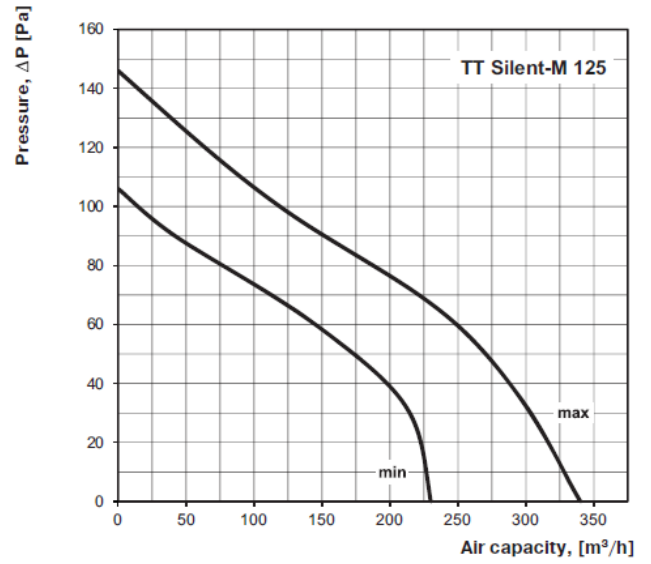
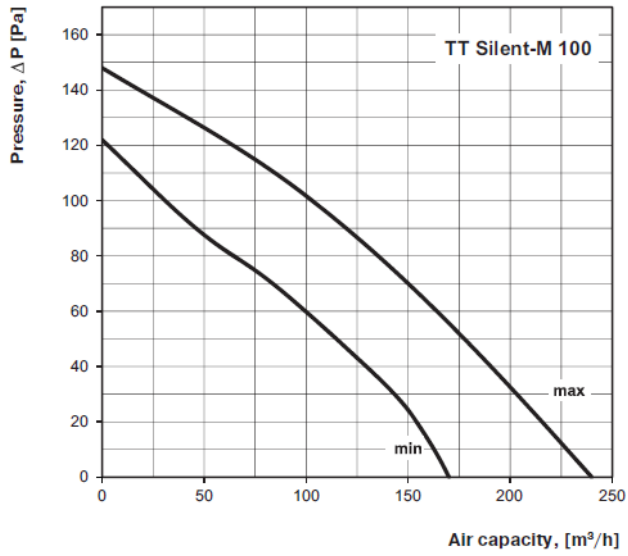


Fig.2





Sound Power Levels

Model		Tot	63	125	250	500	1K	2K	4K	8K
TT-SILENT-100	L _{WA} to Inlet	42	19	18	29	35	39	39	31	24
	L _{WA} to Outlet	45	20	19	30	38	42	35	35	23
	L _{WA} to Environment	34	15	14	17	25	29	21	22	14
TT-SILENT-125	L _{WA} to Inlet	47	19	21	35	38	42	41	35	28
	L _{WA} to Outlet	46	21	24	35	39	41	43	37	29
	L _{WA} to Environment	35	17	20	23	27	28	22	21	15
TT-SILENT-150	L _{WA} to Inlet	61	25	33	49	55	53	55	53	39
	L _{WA} to Outlet	59	35	36	51	55	55	55	50	42
	L _{WA} to Environment	39	19	22	39	35	36	33	24	21
TT-SILENT-200	L _{WA} to Inlet	62	26	38	54	57	58	55	52	48
	L _{WA} to Outlet	65	28	42	48	62	60	62	50	44
	L _{WA} to Environment	45	22	30	31	38	41	42	29	22
TT-SILENT-250	L _{WA} to Inlet	65	29	41	57	60	61	58	55	51
	L _{WA} to Outlet	75	31	45	58	65	73	65	53	47
	L _{WA} to Environment	55	25	33	48	41	53	49	41	29
TT-SILENT-315	L _{WA} to Inlet	69	35	47	62	61	64	67	58	55
	L _{WA} to Outlet	75	40	53	69	69	70	65	55	51
	L _{WA} to Environment	58	25	32	41	51	55	52	49	37

